

Technical data sheet



Product features

Bain marie electric GN 1/1 - 200 without cabinet

| | | |
|--------------|----------------------------------|-------------------------------|
| Model | SAP Code | 00018585 |
| BM 70/04 E | A group of articles - web | Pasta cookers and Bain Marine |



- Water inlet: automatic valve operated by button
- Drain type: On the front panel
- Drain: Yes
- Safety drain: Yes
- Material: AISI 304 top plate, AISI 430 cladding
- Protection of controls: IPX4
- Maximum device temperature [°C]: 90

| | | | |
|------------------------|----------|-------------------------------|--------------------|
| SAP Code | 00018585 | Power electric [kW] | 1.600 |
| Net Width [mm] | 400 | Loading | 230 V / 1N - 50 Hz |
| Net Depth [mm] | 700 | Number of GN / EN | 1 |
| Net Height [mm] | 330 | GN / EN size in device | GN 1/1 |
| Net Weight [kg] | 15.00 | GN device depth | 200 |

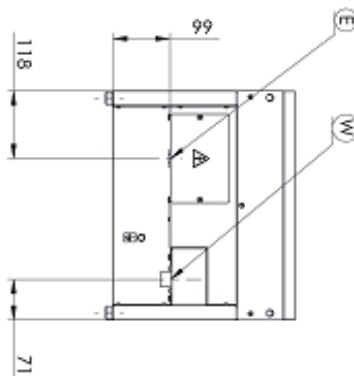
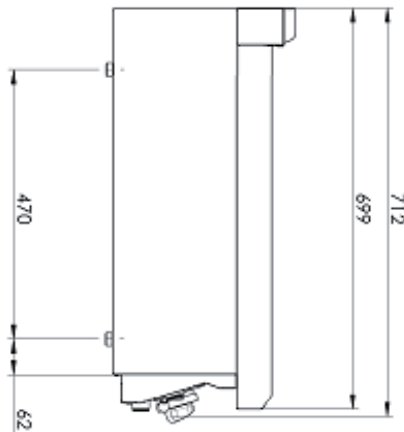
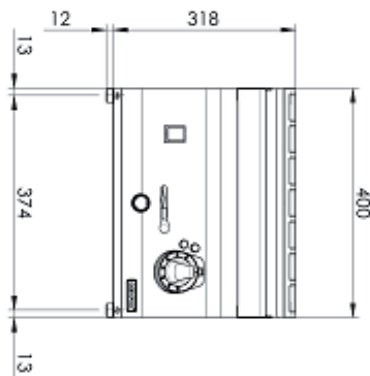
Technical data sheet



Technical drawing

Bain marie electric GN 1/1 - 200 without cabinet

| | | |
|--------------|----------------------------------|------------------------------|
| Model | SAP Code | 00018585 |
| BM 70/04 E | A group of articles - web | Pasta cookers and Bain Marie |



Technical data sheet



Technical parameters

Bain marie electric GN 1/1 - 200 without cabinet

| | | |
|--------------|----------------------------------|-------------------------------|
| Model | SAP Code | 00018585 |
| BM 70/04 E | A group of articles - web | Pasta cookers and Bain Marine |

1. SAP Code:

00018585

2. Net Width [mm]:

400

3. Net Depth [mm]:

700

4. Net Height [mm]:

330

5. Net Weight [kg]:

15.00

6. Gross Width [mm]:

460

7. Gross depth [mm]:

820

8. Gross Height [mm]:

494

9. Gross Weight [kg]:

20.00

10. Device type:

Electric unit

11. Construction type of device:

Table top

12. Power electric [kW]:

1.600

13. Loading:

230 V / 1N - 50 Hz

14. Protection of controls:

IPX4

15. Material:

AISI 304 top plate, AISI 430 cladding

16. Indicators:

operation and warm-up

17. Worktop material:

AISI 304

18. Worktop Thickness [mm]:

1.20

19. Maximum device temperature [°C]:

90

20. Minimum device temperature [°C]:

30

21. Safety element:

safety valve against accidental release

22. Adjustable feet:

Yes

23. Number of basins:

1

24. Basin material:

AISI 304 - High quality stainless steel

25. Heating element construction:

Heating element under the bottom of the tub

26. Water inlet:

automatic valve operated by button

27. Drain type:

On the front panel

28. Drain:

Yes

Technical data sheet



Technical parameters

Bain marie electric GN 1/1 - 200 without cabinet

| | | |
|--------------|----------------------------------|-------------------------------|
| Model | SAP Code | 00018585 |
| BM 70/04 E | A group of articles - web | Pasta cookers and Bain Marine |

29. Safety drain:

Yes

32. GN device depth:

200

30. Number of GN / EN:

1

33. Cross-section of conductors CU [mm²]:

0,5

31. GN / EN size in device:

GN 1/1